

Pilot ID	Advanced Programme Q										Flight #
----------	-----------------------------	--	--	--	--	--	--	--	--	--	----------

No	Symbol	Cat. No.	K	Total K	Grade		Remarks	CHZ	Item	K	Grade	
					0-10 HZ X	.0.5 A X						
1		5.3.1 9.1.2.2 9.9.5.2	24 6 11	41					Positioning			
2		1.40.1 9.1.1.2 9.9.4.4	22 8 11	41					Fig K		Total K	
									255		255	
									Penalties			
									Too Low			
									Disqual Fig			
									Too High			
									Outs			
									Interruptions			
									Insertions			
									Missed Slot			
									Trg Violation			
									Faulty Wing Rocks			
									Final Freestyle			
									Duration	Min	Sec	
									Judges Details			
									Signature			
									Name			
									Number			
3		1.6.3 9.11.1.5	10 4	14								
4		7.1.1 9.4.3.4	6 11	17								
5		2.8.2	31	31								
6		5.1.4 9.8.5.2	22 7	29								
7		8.3.1 9.1.1.1 9.9.10.3	15 6 13	34								
8		8.40.1 9.2.3.4 9.4.3.2	14 9 5	28								
9		1.3.1 9.9.2.2	7 13	20								





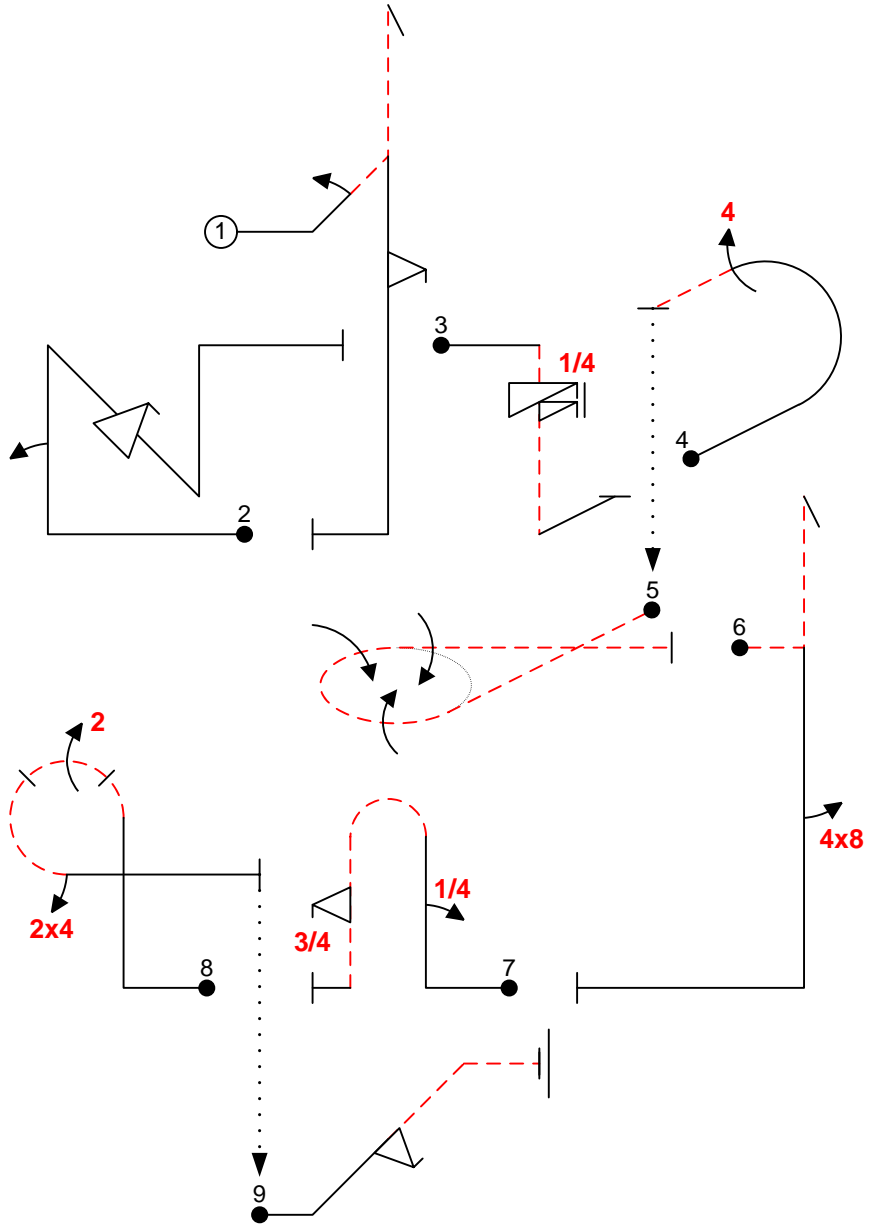
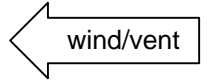
2011

FORM B

Pilot ID #

Flight #

Advanced Programme Q



pilot

AC



2011

FORM C

Pilot ID #

Flight #

Advanced Programme Q

