

CIVA Free Known Programme 1

Glider Advanced and Unlimited 2022



Guidance for competitors

Competitors should preferably design their own Free Known sequence, though they are entitled to use one provided by another competitor or resource.

Each Programme 1 Free Known sequence must comprise a total of 10 figures.

Within each sequence: 5 figures must be the “Known” figures specified by CIVA as shown overleaf and 5 must be “Free” figures, i.e. they are freely chosen by the competitor.

The 5 “Known” figures –

- must be those specified for the category by CIVA at its plenary.
- may individually be placed in any order and at any position within the sequence.
- may be employed in any orientation, i.e. with their start direction along the main box axis into wind, or down wind, or on the secondary axis in either direction.
- must be used with their design as specified by CIVA, unchanged in any way.

The 5 “Free” figures –

- must be selected from the Aresti Aerobatic Catalogue (Condensed), Glider version.
- must, in conjunction with the specified “Known” figures, provide a sequence that complies with 2022 CIVA Section 6 Part 2 versatility regulations: Advanced paragraph 2.1.2.6 and Unlimited paragraph 2.1.2.7

Sequence files submitted for a CIVA championship event –

- must be in a computer format declared acceptable to CIVA; hard / paper copies of any type are not acceptable.
- must contain complete pages for forms “A”, “B” and “C” as well as forms “L” and “R”.
- must clearly identify the 5 “Known” figures using the specified letters A-E.

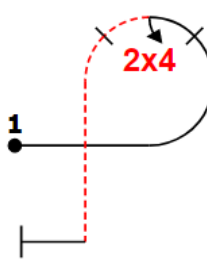
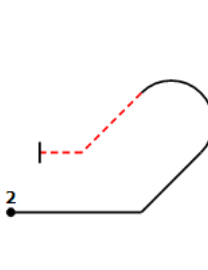
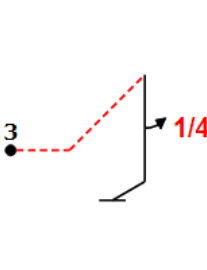
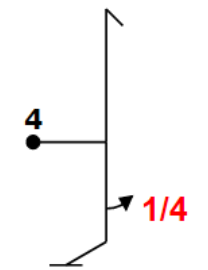
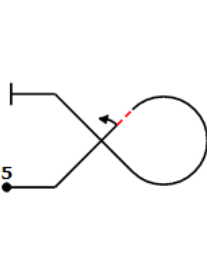
Note! Section-6 Part-2 “UG” versatility requirements require sequences to include at least one Family-2 rolling turn with one full roll. With the Fig-B rolling turn 2.1.2.4 set as an Unlimited 2022 Master Figure, Glider Unlimited Programme-1 sequence designs must therefore always include at least TWO rolling turns.

The specified “Known” figures for CIVA 2022 glider aircraft categories are shown overleaf.

The “Known” figures specified by CIVA for glider aircraft in 2022 are:

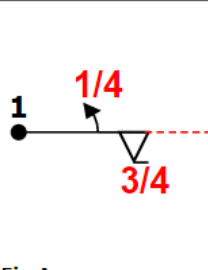
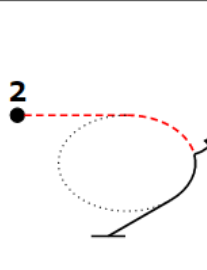
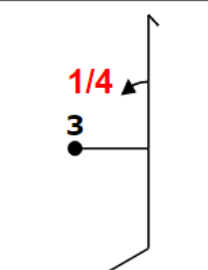
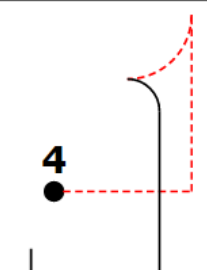
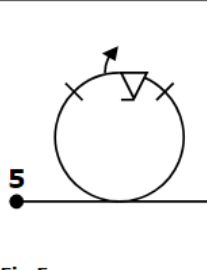
Advanced glider category

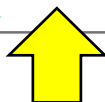
Max total K allowed = 175 §

 <p>Fig A 8.6.22.1(13) 9.4.3.2(8) K: 21</p>	 <p>Fig B 8.4.13.1(11) K: 11</p>	 <p>Fig C 1.2.2.2(13) 9.1.5.1(3) K: 16</p>	 <p>Fig D 5.2.1.1(17) 9.1.5.1(3) K: 20</p>	 <p>Fig E 7.3.2.1(14) 9.1.2.2(9) K: 23</p>
---	--	--	---	--

Unlimited glider category

Max total K allowed = 230 §

 <p>Fig A 1.1.1.3(2) 9.1.3.1(3) 9.9.3.3(14) K: 19</p>	 <p>Fig B 2.1.2.4(21) K: 21</p>	 <p>Fig C 5.2.1.1(17) 9.1.1.1(9) K: 26</p>	 <p>Fig D 6.2.2.4(22) K: 22</p>	 <p>Fig E 7.4.1.1(10) 9.9.3.2(12) 9.1.3.2(6) K: 28</p>
--	--	---	---	---



See note on previous page regarding versatility requirements and Family-2 figures

§ - see CIVA Section 6 part 2:

Coefficients:

The final sum of figure K-factors must not exceed the amount of 230 (“AG” 175) for 10 figures total. The sum of the figure K-factors may be as large as 233 (“AG” 178), but will be reduced to 230 (“AG” 175), starting with the highest value Free figure, by removing one point from the highest K-factor Free figure that has not had a point removed. The K-factors of the five Known figures must not be reduced. In the sequence forms the original K-factors will be shown as well as the reduced values.

Valid from January 1st 2022