



*Fédération
Aéronautique
Internationale*



CIVA KNOWN / Q SEQUENCES For the 2011 Contest Year

**Advanced Power
Unlimited Power
YAK-52
Advanced Glider
Unlimited Glider**

*Avenue Mon-Repos 24
CH-1005 Lausanne
(Switzerland)
Tél.: +41(0) 21/345.10.70
Fax: +41(0) 21/345.10.77
E-mail: sec@fai.org
Web: www.fai.org*

Effective 1st January 2011
Revised 12 November 2010



	2011	FORM B
Pilot ID #	Advanced Programme Q	
		Flight #

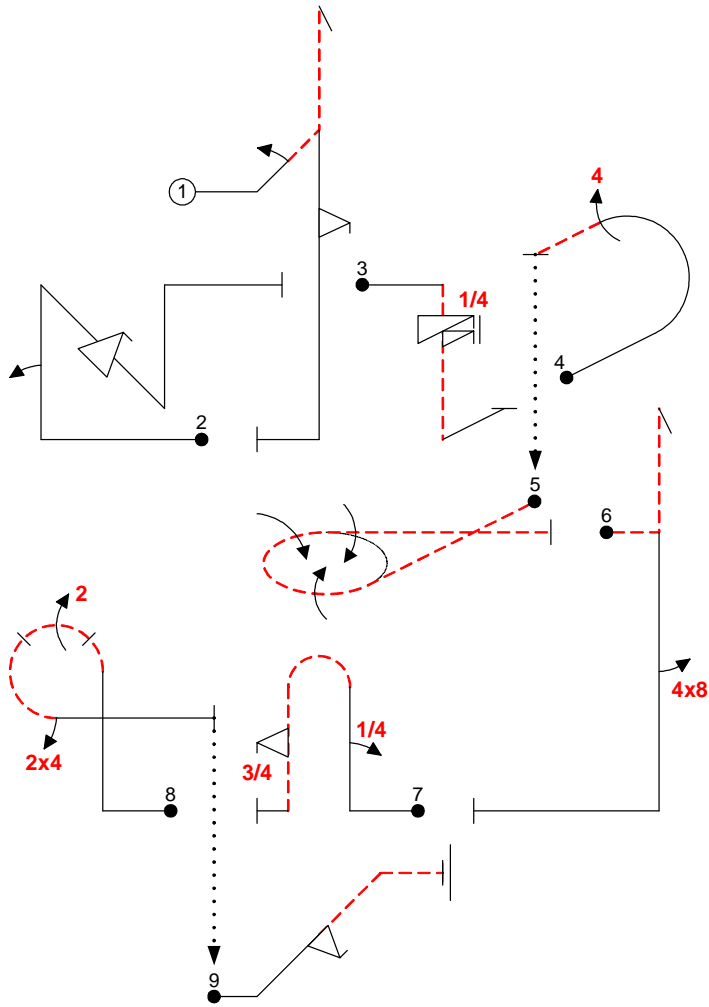
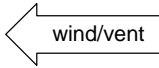
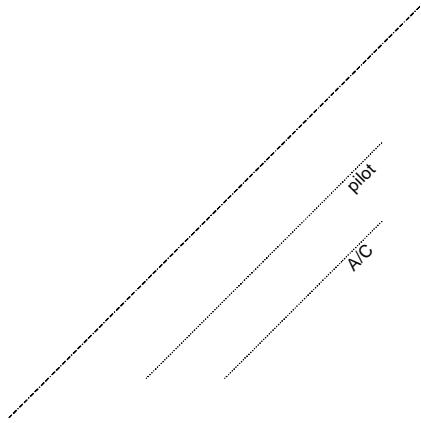


Fig 1	5.3.1 9.1.2.2 9.9.5.2	24 6 11	41
Fig 2	1.40.1 9.1.1.2 9.9.4.4	22 8 11	41
Fig 3	1.6.3 9.11.1.5	10 4	14
Fig 4	7.1.1 9.4.3.4	6 11	17
Fig 5	2.8.2	31	31
Fig 6	5.1.4 9.8.5.2	22 7	29
Fig 7	8.3.1 9.1.1.1 9.9.10.3	15 6 13	34
Fig 8	8.40.1 9.2.3.4 9.4.3.2	14 9 5	28
Fig 9	1.3.1 9.9.2.2	7 13	20
Total K = 255			

Created Using Arest! 2009™ software. AC.Cassidy@aol.com





2011		FORM B
Pilot ID #	Unlimited Programme Q	
	Flight #	

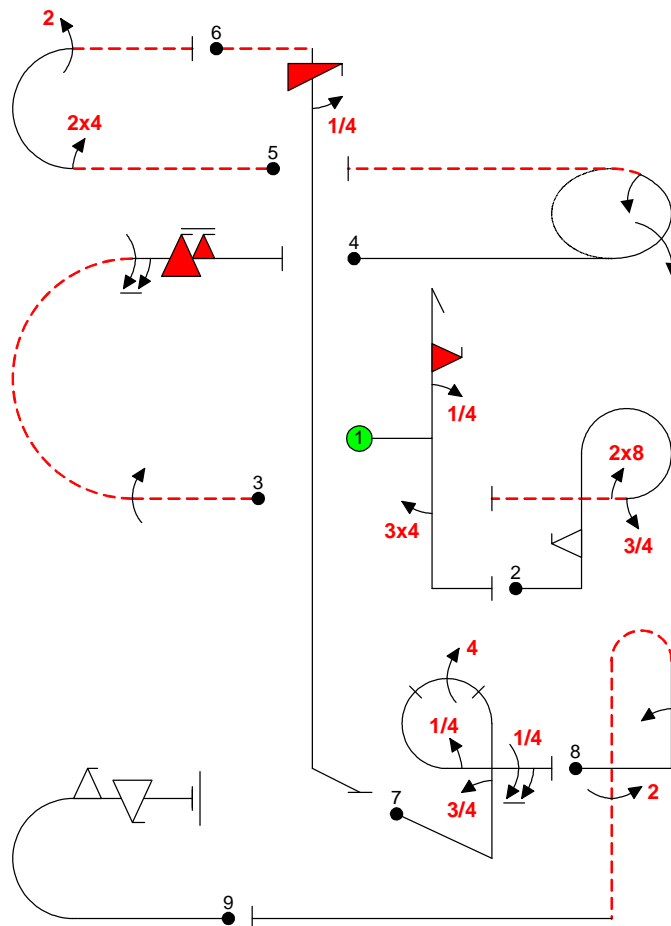
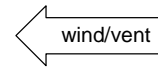
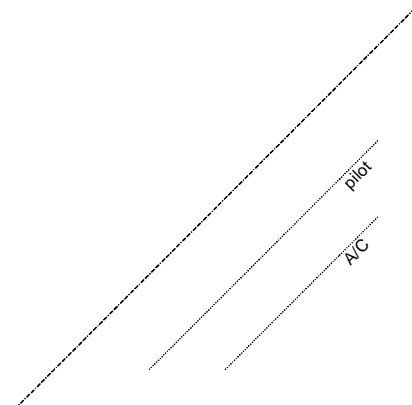


Fig 1	5.1.1	17	48
	9.1.1.1	6	
	9.10.1.2	17	
	9.4.5.3	8	
Fig 2	8.39.1	12	36
	9.9.1.2	15	
	9.1.3.3	6	
	9.8.3.1	3	
Fig 3	7.1.2	8	42
	9.1.3.4	8	
	9.1.3.6	10	
	9.10.3.6	16	
Fig 4	2.19.3	27	27
Fig 5	7.3.2	7	21
	9.4.3.2	5	
	9.2.3.4	9	
Fig 6	1.7.4	9	18
	9.12.1.4	7	
	9.1.5.1	2	
Fig 7	8.33.1	11	43
	9.1.1.3	10	
	9.4.3.4	11	
	9.1.3.1	2	
	9.1.3.5	9	
Fig 8	8.3.1	15	32
	9.1.1.2	8	
	9.2.5.4	9	
Fig 9	7.2.1	6	28
	9.9.3.2	11	
	9.9.3.4	11	
Total K = 295			

Created Using Aresti 2010™ software. ACCassidy@aol.com





2011		FORM B
Pilot ID #	Yak 52 Programme Q	Flight #

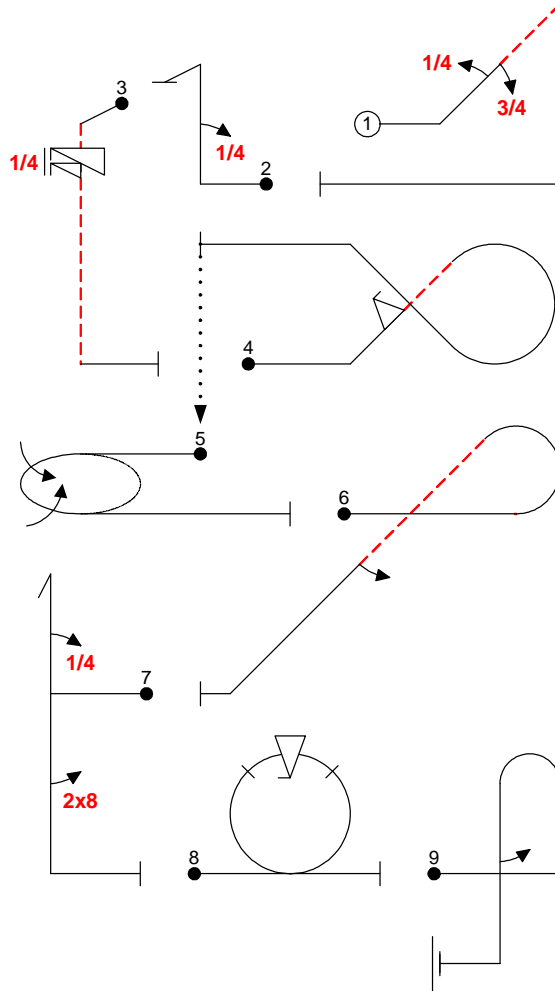
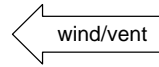
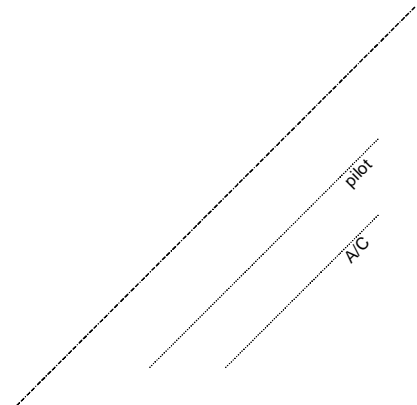


Fig 1	1.14.1 9.1.2.1 9.1.2.3	12 4 8	24
Fig 2	1.6.1 9.1.1.1	10 6	16
Fig 3	1.6.3 9.11.1.5	10 4	14
Fig 4	7.20.1 9.9.2.2	14 13	27
Fig 5	2.6.1	22	22
Fig 6	8.42.1 9.1.4.2	10 4	14
Fig 7	5.1.1 9.1.1.1 9.8.5.1	17 6 3	26
Fig 8	7.5.1 9.9.3.4	10 11	21
Fig 9	8.1.1 9.1.5.2	13 4	17
Total K = 181			





2011		FORM B
Pilot ID #	Advanced Glider Known	
		Flight #

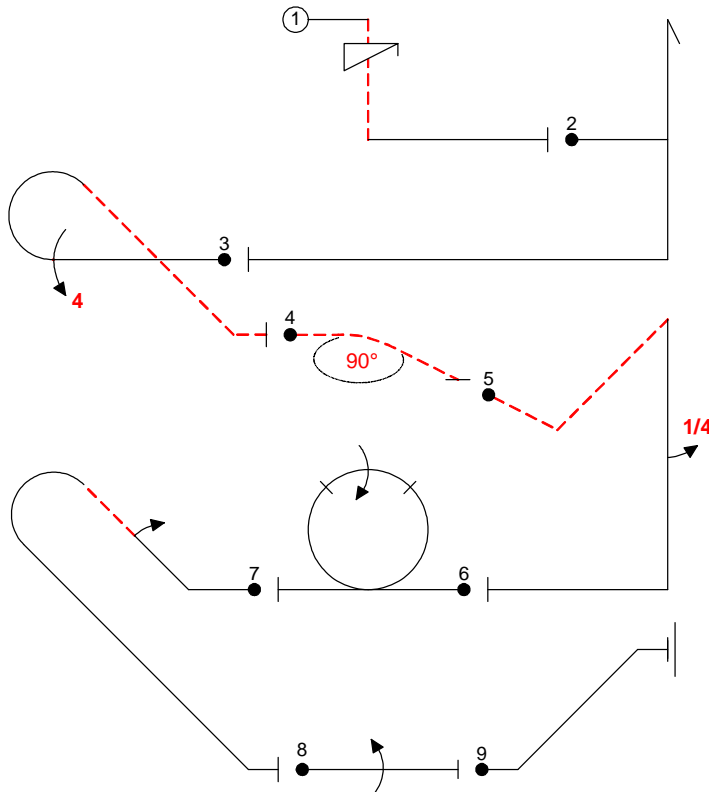
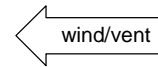
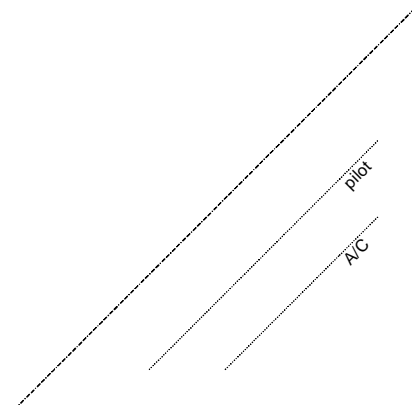


Fig 1	1.6.3 9.11.1.4	10 5	15
Fig 2	5.1.1	17	17
Fig 3	8.41.1 9.4.3.4	10 17	27
Fig 4	2.2.4	4	4
Fig 5	1.13.2 9.1.5.1	13 3	16
Fig 6	7.5.1 9.1.3.4	10 12	22
Fig 7	8.15.1 9.1.2.2	12 9	21
Fig 8	1.1.1 9.1.3.4	2 12	14
Fig 9	1.2.1	7	7
Total K = 143			

Created Using Aresti 2009™ software. ACCassidy@aol.com





2011		FORM B
Pilot ID #	Unlimited Glider Known	
	Flight #	

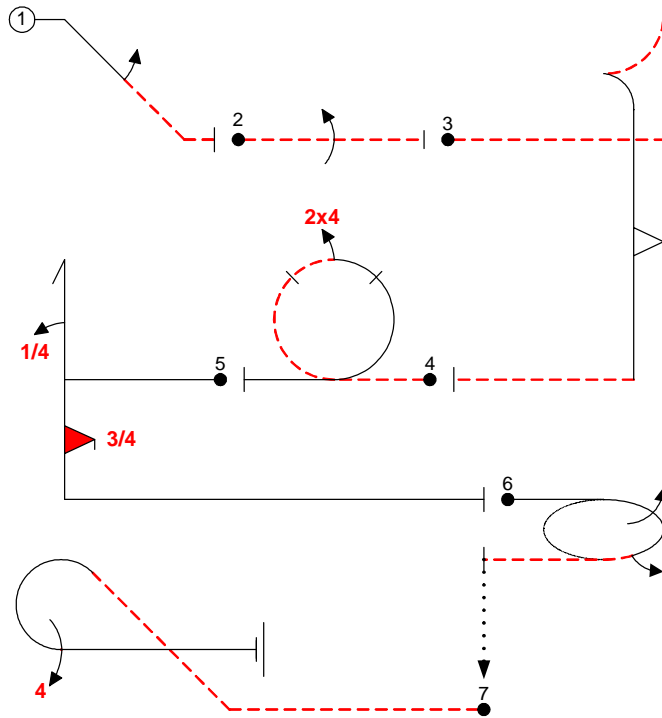
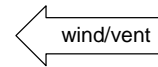


Fig 1	1.3.3 9.1.4.2	8 6	14
Fig 2	1.1.2 9.1.3.4	3 12	15
Fig 3	6.2.2 9.9.5.2	23 12	35
Fig 4	7.6.2 9.4.3.2	12 8	20
Fig 5	5.1.1 9.1.1.1 9.10.5.3	17 9 17	43
Fig 6	2.17.3	35	35
Fig 7	8.31.2 9.4.3.4	10 17	27
Total K = 189			

Created Using Aresti 2009™ software. ACCassidy@aol.com

