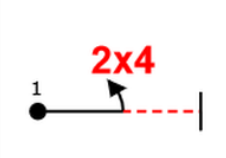
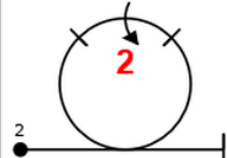

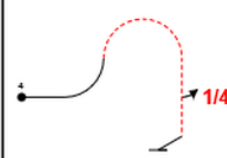
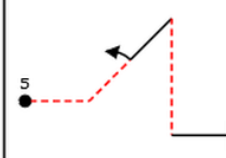


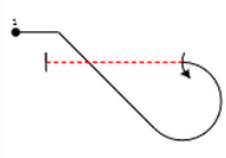
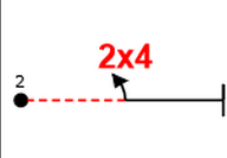
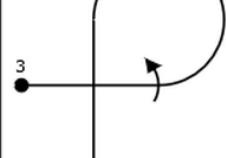
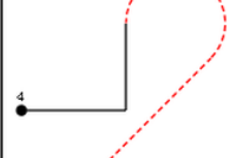
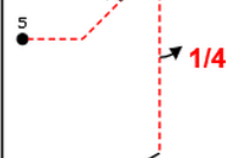
# Agenda Item 11.4

## Proposed Free Known Figure Sets - Advanced Glider

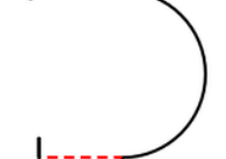
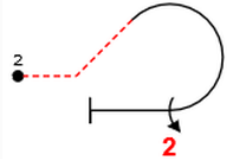

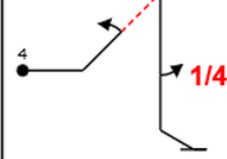
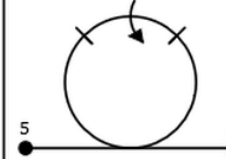
b

 <p>1.1.1.3(2) 9.4.3.2(8) <b>K: 10</b></p>	 <p>7.4.1.1(10) 9.2.3.4(14) <b>K: 24</b></p>	 <p>5.2.1.1(17) 9.1.5.1(3) <b>K: 20</b></p>	 <p>8.6.13.1(13) 9.1.5.1(3) <b>K: 16</b></p>	 <p>1.2.4.2(14) 9.1.2.2(9) <b>K: 23</b></p>
---	---	--	--	--

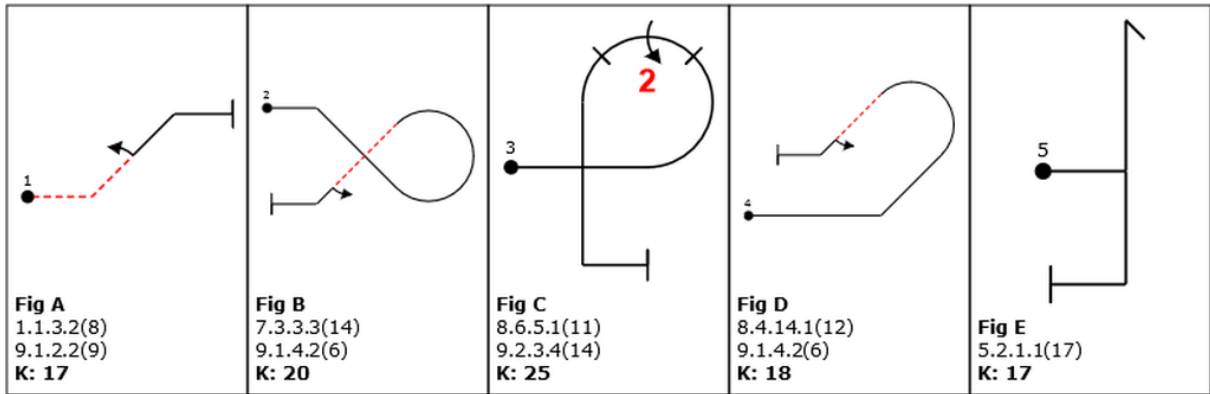
c

 <p><b>Fig A</b> 8.5.1.3(10) 9.1.3.4(12) <b>K: 22</b></p>	 <p><b>Fig B</b> 1.1.1.4(2) 9.4.3.2(8) <b>K: 10</b></p>	 <p><b>Fig C</b> 8.6.5.1(11) 9.1.3.4(12) <b>K: 23</b></p>	 <p><b>Fig D</b> 8.5.19.1(16) <b>K: 16</b></p>	 <p><b>Fig E</b> 1.2.4.2(14) 9.4.2.2(11) 9.1.5.1(3) <b>K: 28</b></p>
---	---	---	---	--

d

 <p><b>Fig A</b> 7.2.4.3(6) 9.1.3.2(6) 9.1.3.2(6) <b>K: 18</b></p>	 <p><b>Fig B</b> 8.5.1.2(10) 9.2.3.4(14) <b>K: 24</b></p>	 <p><b>Fig C</b> 5.2.1.1(17) 9.1.5.1(3) <b>K: 20</b></p>	 <p><b>Fig D</b> 1.2.3.1(12) 9.1.2.2(9) 9.1.5.1(3) <b>K: 24</b></p>	 <p><b>Fig E</b> 7.4.1.1(10) 9.1.3.4(12) <b>K: 22</b></p>
---	--	---	---	--

e



g

